



Rigid Dumper

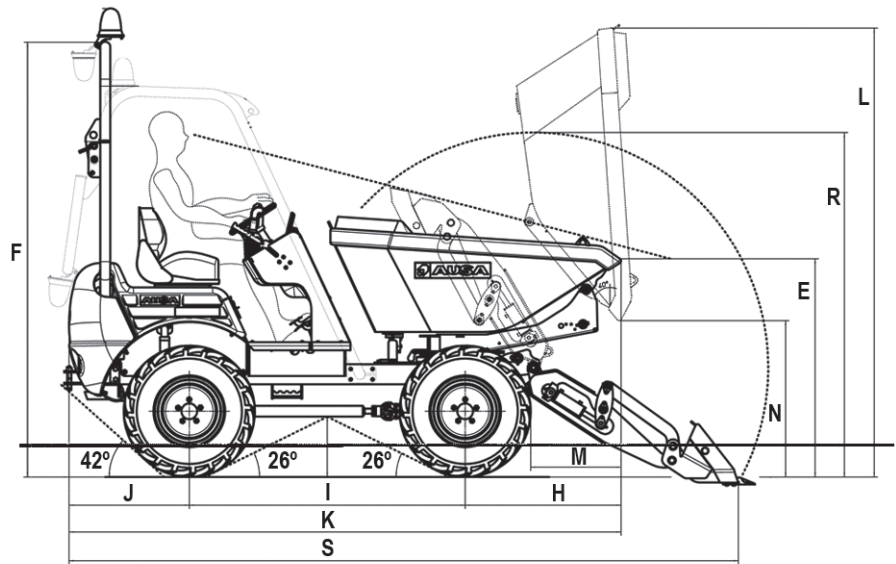
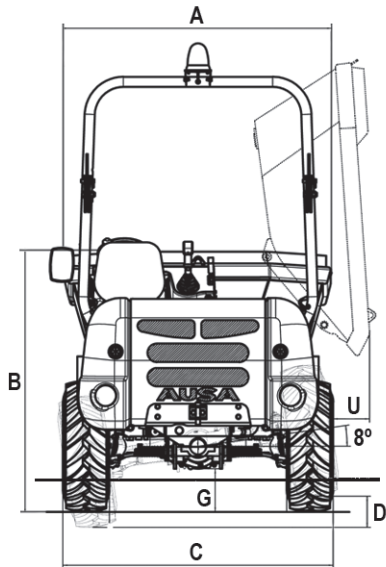
D 201 RHS D 201 RHGS



TECHNICAL DATA

GENERAL		D 201 RHS	D 201 RHGS
Unloading system		Frontal	Rotating
Load capacity	lb	4,400	4,400
Chassis		Rigid	Rigid
Water hopper capacity	cu yd	0.91	0.85
Level hopper capacity	cu yd	1.25	1.22
Heaped hopper capacity	cu yd	1.63	1.61
Empty weight	lb	4,188	4,630
Transmission		Hydrostatic, 2-speed	Hydrostatic, 2-speed
ENGINE			
Brand		KUBOTA	KUBOTA
Model		V1505-E4B	V1505-E4B
Power	hp	24.8@2300	24.8@2300
Operating speed	rpm	2500	2500
Torque	N-m@rpm	92.6@1700	92.6@1700
No. of cylinders		4	4
Emissions		Stage V - EPA Tier 4	Stage V - EPA Tier 4
Noise	dB(A)	101	101
DRIVING			
Max. speed	mph	11.2	11.2
Maximum gradient	%	40%	40%
External turning radius	in	165	165
Traction		4x4 permanent Compen® System	4x4 permanent Compen® System
Front tyres		10.0/75-15.3	10.0/75-15.3
Rear tyres		10.0/75-15.3	10.0/75-15.3
HYDRAULIC SYSTEM			
Flow rate	gal/min	4.7	4.7
Working pressure	psi	2,610	2,610
TANK CAPACITY			
Fuel	gal	10.6	10.6
Hydraulic system	gal	10.6	10.6
BRAKES			
Service		Fully sealed, with oil-immersed multi-disc brakes	Fully sealed, with oil-immersed multi-disc brakes
Parking		Fully sealed, with oil-immersed multi-disc brakes	Fully sealed, with oil-immersed multi-disc brakes

DIMENSIONS



DIMENSIONS (in)	D 201 RHS	D 201 RHGS
A	61.6	60.6
B	56.8	60.8
C	68.8	68.8
D	7.2	7.2
E	47	50.9
F	101.5	101.5
G	10	10
H	34.8	36.4
I	64.5	64.5
J	28.1	28.1
K	118.5	129.1
L	88.3	104.9
M	10.8	21
N	22.4	36.6
R	80.5	80.5
S	156.6	156.6
T	62.5	62.5
U	-	8.4



www.ausa.com

Products are subject to modifications without prior notice. Images throughout the spec sheet may refer to non-standard machines or non-available configurations depending on models.

AUSA's logo and corporate identity are property of the Company, they cannot be used without authorization.